

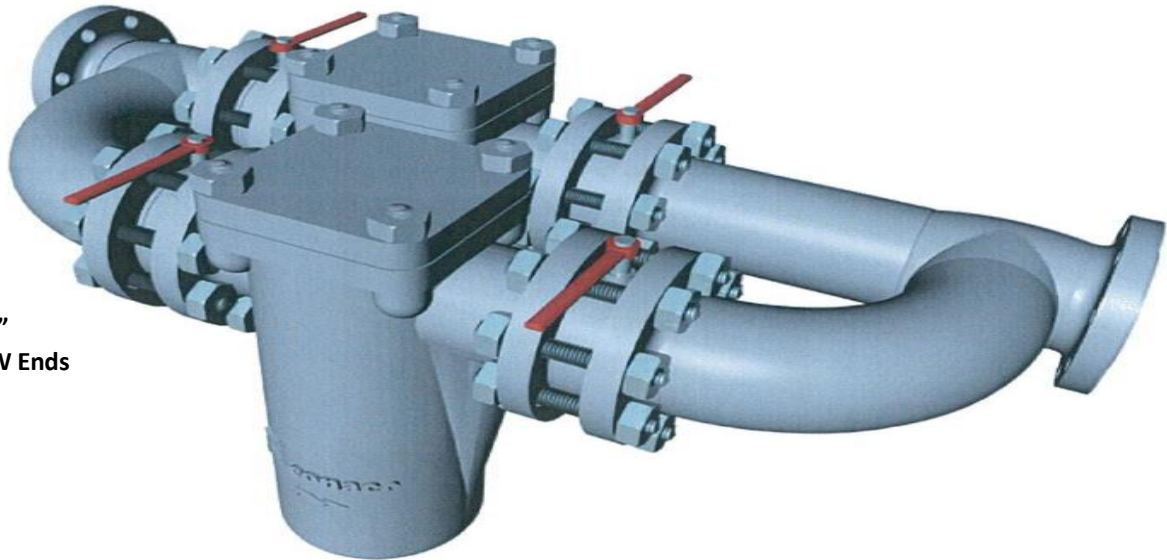


DUAL BASKET (DUPLEX) TYPE STRAINERS

Type 514.1 – ASME #150 lb

Type 514.2 – ASME #300 lb

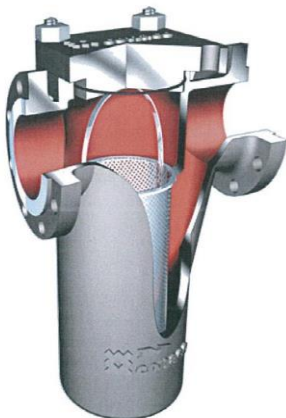
Type 514.3 – ASME #600 lb



Sizes 2" to 10"
Flanged or BW Ends

Available sizes

- From 2" to 10" ASME #150 lb and #300 lb
- From 2" to 6" ASME #600 lb



Design:

The Type 514 Strainer is composed by 2 Type 507 Basket Strainer and 4 wafer type ball valves connected together by pipework to form a single duplex filter package.

While this configuration results in a larger footprint than the one of a conventional compact duplex strainer, it offers many advantages:

- Much lower pressure drop, due to the straighter flow path
- Greater flexibility in the choice of the materials.
- Easier replacement of parts
- Interchangeability of parts with Conaco simplex strainers.

Refer to Conaco Data Sheet 507.0309 for details of the Type 507 Basket Strainers.

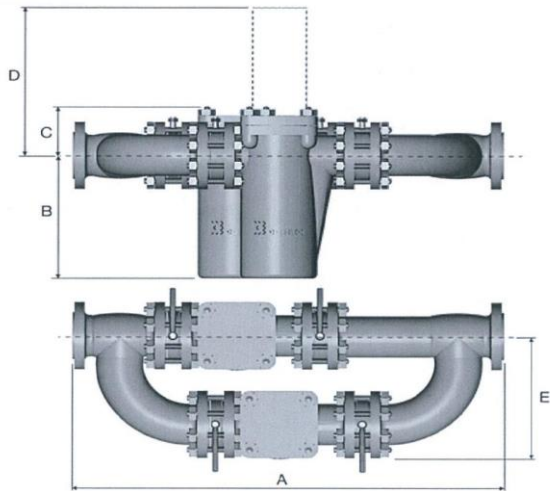
Manufacturing:

- Full traceability of all parts
- 100% X-Ray Examination of all welds
- Hydrostatic test to API 598
- Quality System to ISO 9001

Local Contact:

PFM Engineering Pte Ltd
21 Bukit Batok Crescent #20-79 WCEGA Tower Singapore 658065
Tel: 62789700, Fax: 62789671
Email: sales@pfmeng.com Web: www.pfmeng.com
Co.Reg.No. 197600505C

SIZE	Class 150 lb						Class 300 lb						Class 600 lb					
	A	B	C	D	E	Kg	A	B	C	D	E	Kg	A	B	C	D	E	Kg
2"	972	207	110	350	268	170	996	207	110	350	274	176	1456	207	110	350	274	182
3"	1272	265	140	440	297	244	1308	265	140	440	357	256	1800	265	140	440	440	266
4"	1524	350	160	580	373	362	1564	350	160	580	436	386	2212	350	160	580	580	428
6"	2076	500	182	800	514	836	2116	500	182	800	533	890	2890	500	182	800	800	980
8"	2664	650	244	1000	656	1296	2700	650	260	1020	675	1368						
10"	3142	850	315	1380	802	1792	3202	850	325	1400	821	1906						



- Dimensions and weight are approximate
- Standard blow off plug 3/4" NPT.
- Standard filtering element:
40 mesh wire screen on perforated plate support.
- Flanged ends to ANSI B16.5
- Cover flange to manufacturer's standard.

Installation

- Strainers should be installed as close as possible to the machinery or valve to be protected. The arrow cast on the strainer body must point to the direction of the flow.
- For installation on horizontal or inclined pipelines, the screen housing must be below the pipeline.
- Do not install a Basket type strainer on vertical pipelines.

How To Order

Always specify: type – rating – end connections – size – body/screen material – filtering degree – drain type.

Example: No 1 Type 514.1 - #150RF – 10" WCB/304 – 1.5mm perf – 3/4" NPT Plug

Ask our technical department for the correct sizing with the lowest pressure drop for your application.

Other Conaco Strainers

Product		Data Sheet
150 to 2500 lb 1/2" to 1 1/2" type 777 'Y'	Strainers	700.9710
150, 300, 600 lb, flanged cover, type 707 'Y'	Strainers	701.9710
900, 1500, 2500 lb flanged cover, type 707 'Y'	Strainers	702.9710
1500 & 2500 lb, pressure seal, type 707 'Y'	Strainers	703.9710
800 lb forged type 767 'Y'	Strainers	704.9710
Type 407 'Tee'	Strainers	407.9710
Type 444 'Top Hat'	Strainers	444.9710
150, 300, 600 lb cast Type 507 'Basket'	Strainers	507.0309

The material presented in this Data Sheet is for general information. We reserve the right to change designs, materials or specifications without notice., © 1997-2003 Inoxfucine SpA – Milano (Italy)